

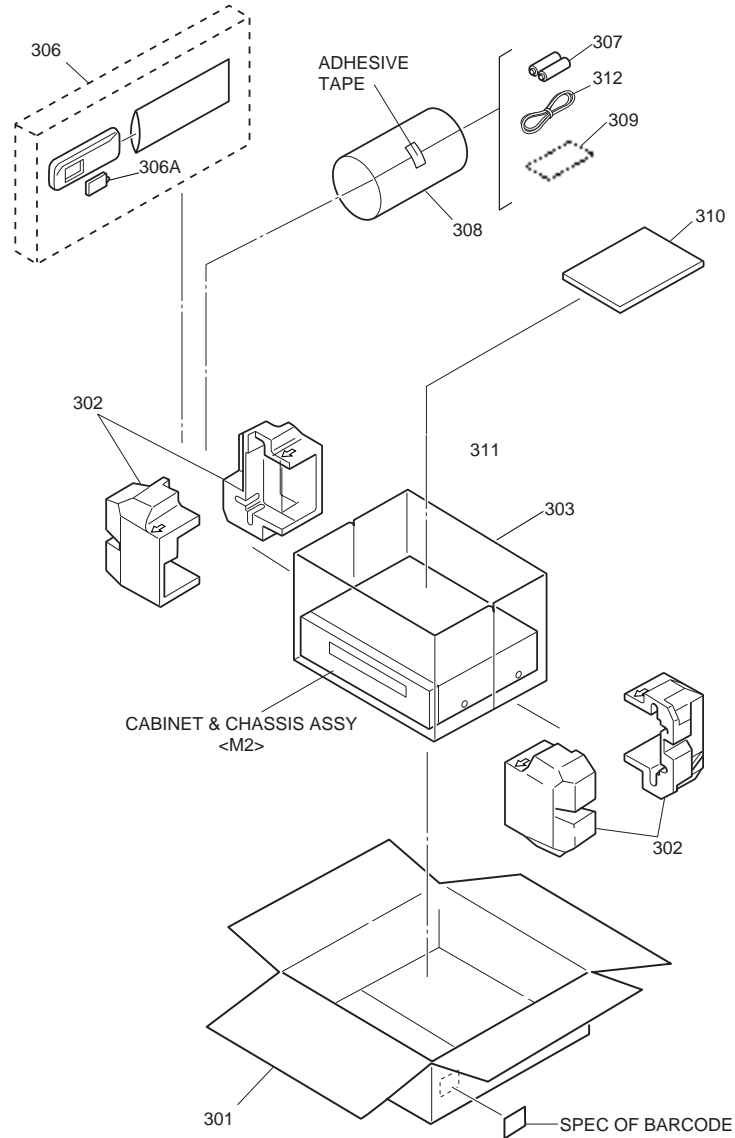
SECTION 5 PARTS LIST

SAFETY PRECAUTION

Parts identified by the \triangle symbol are critical for safety. Replace only with specified part numbers.

5.1 PACKING AND ACCESSORY ASSEMBLY <M1>

The instruction manual to be provided with this product will differ according to the destination.



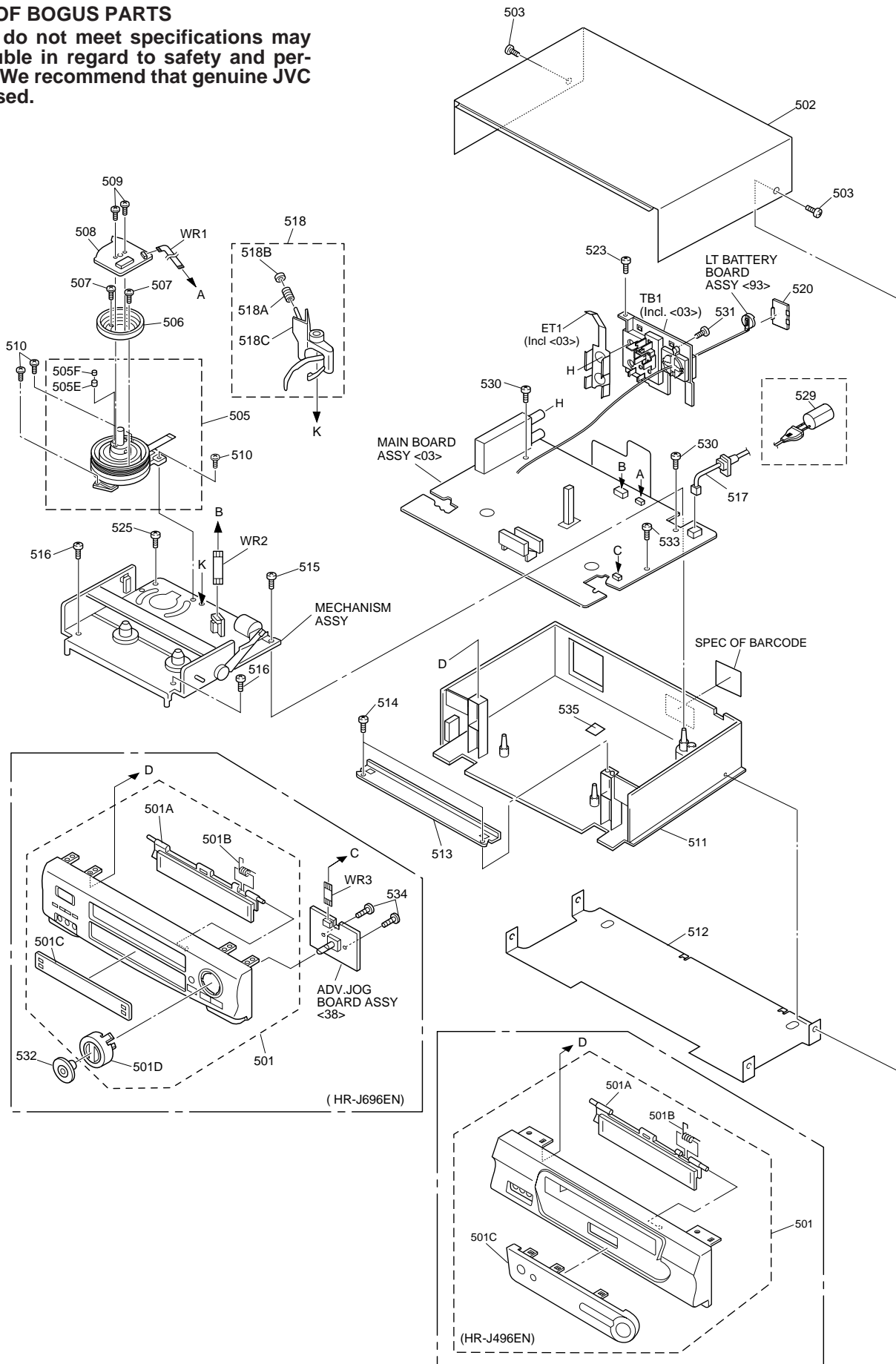
# \triangle REF No.	PART No.	PART NAME, DESCRIPTION	# \triangle REF No.	PART No.	PART NAME, DESCRIPTION

PACKING AND ACCESSORY ASSEMBLY <M1>					
301	LP30990-001A	PACKING CASE, J496EN		PQM30021-93	POLY BAG, J696EN
	LP30992-001A	PACKING CASE, J696EN	306	LP20303-016C	REMOTE CONTROLLER
	LP30355-001D	CUSHION ASSY, J696EN	306A	LP40225-001A	COVER (BATTERY)
	LP30898-001A	CUSHION ASSY, J496EN	307	-	BATTERY, X2, "AA" TYPE
302	PQM30021-92	POLY BAG, J496EN	308	QPC02202230P	POLY BAG
			\triangle 309	PECA0903	LI. BATTERY, CR2025
			\triangle 310	LPT0537-001A	INST. BOOK (SP), J496EN
			\triangle 311	LPT0538-001A	INST. BOOK (SP), J696EN
			312	PEAC0294-04	RF CABLE

5.2 FINAL ASSEMBLY <M2>

BEWARE OF BOGUS PARTS

Parts that do not meet specifications may cause trouble in regard to safety and performance. We recommend that genuine JVC parts be used.

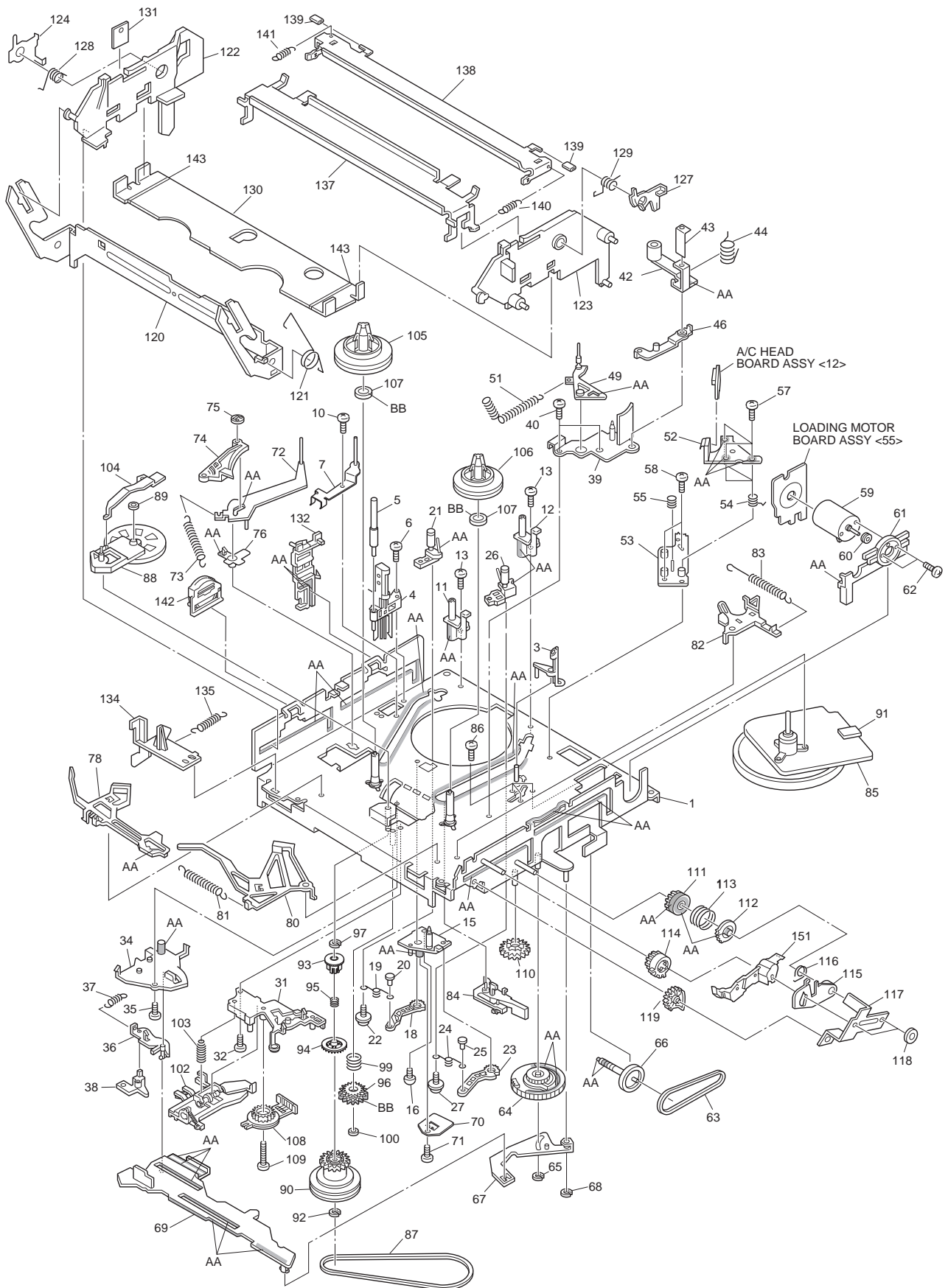


#	△ REF No.	PART No.	PART NAME, DESCRIPTION	#	△ REF No.	PART No.	PART NAME, DESCRIPTION
---	-----------	----------	------------------------	---	-----------	----------	------------------------

FINAL ASSEMBLY <M2>

△	501	LP10289-070B	FRONT PANEL ASSY,J696EN
△		LP10348-013D	FRONT PANEL ASSY,J496EN
	501A	LP20868-038A	CASSETTE DOOR,J696EN
		LP20977-013A	CASSETTE DOOR,J496EN
	501B	PQ46448	TORSION SPRING
	501C	LP20869-0A5A	DISPLAY WINDOW,J696EN
		LP20976-013B	DISPLAY WINDOW,J496EN
	501D	LP21014-003A	ORNAMENT, J696EN
△	502	LP10352-008A	TOP COVER,J496EN
△		LP10377-006A	TOP COVER,J696EN
	503	QYTDSF3010R	SCREW,X2, TOP COVER(SIDE)
	505	LP20981-007A	DRUM SUB ASSY,J496EN
		LP20981-002A	DRUM SUB ASSY,J696EN
	505E	LP40323-001A	CONTACT
	505F	LP30004-014A	COMPRESSION SPRING
	506	PDZ0179-1-4	ROTOR ASSY
	507	QYSPSP3006Z	SCREW,X2
△	508	QAR0169-002	STATOR ASSY
	509	QYSPSPH2606Z	SCREW,X2
	510	QYTDST2610Z	SCREW,X3,DRUM
△	511	LP10350-006D	BOTTOM CHASSIS,J496EN
△		LP10376-004A	BOTTOM CHASSIS,J696EN
△	512	LP10360-001A	BOTTOM COVER,J496EN
△		LP10388-001A	BOTTOM COVER,J696EN
	513	LP30818-001A	BRACKET CHASSIS
	514	QYTDSF3010Z	SCREW,X2,BRACKET
	515	QYTDSF4012Z	SCREW,MECHA
	516	QYTDSF3010Z	SCREW,X2,MECHA
△	517	QMPR130-170-JC	POWER CORD
	518	LP40369-001D	CLEANER ASSY
	518A	PQ46418-1-2	CLEANER ROLLER
	518B	PQ46419-1-2	CLEANER
	518C	LP30407-001D	CLEANER ARM
	520	LP30336-001A	CAP,LT.BATTERY
	523	QYTDSF3010Z	SCREW,TERMINAL BOARD
	525	PQ40413	SPECIAL SCREW,MECHA
	529	PM30137	POLY BAG(P.PLUG)
	530	QYTDSF3010Z	SCREW,X2,MAIN
	531	QYTDSF3010M	SCREW,REAR
	532	LP30954-002B	KNOB ASSY, J696EN
	533	QYTDSF3010Z	SCREW,MAIN, J496EN
	534	QYTDSF2608Z	TAP SCREW,X2
	535	LP30002-043	SPACER, BOTTOM COVER
	WR1	QUQ212-0519CG	FFC WIRE,DRUM
	WR2	WJT0005-002A	E-CARD WIRE,A/C HEAD
	WR3	QUQ112-0914CG	FFC WIRE,ADV.JOG,J696EN

5.3 MECHANISM ASSEMBLY <M4>



Classification	Part No.	Symbol in drawing
Grease	KYODO-SH-P	AA
Oil	COSMO-HV56	BB

NOTE:The section marked in **AA** and **BB** indicate lubrication and greasing areas.

#	△	REF No.	PART No.	PART NAME, DESCRIPTION	#	△	REF No.	PART No.	PART NAME, DESCRIPTION

MECHANISM ASSEMBLY <M4>									
1			LP20821-006A	MAIN DECK ASSY	75			PQ46302-1-3	ADJUST PIN
3			LP30492-002B	GUIDE POLE GUARD	76			LP30232-002A	TENSION ARM BEARING
4			NAH0001-001	FULL ERASE HEAD	78			LP40532-008B	MAIN BRAKE ASSY (SUPPLY)
5			LP40098-001B	GUIDE POLE(SUPPLY)	80			LP40111-011A	MAIN BRAKE ASSY (TAKE UP)
6			QYTDST2608Z	SCREW,FE HEAD	81			LP30003-026A	TENSION SPRING
7			LP40637-002A	TENSION STUD BASE ASSY	82			LP40112-001F	SUB BRAKE ASSY(TAKE UP)
10			QYTDST2606Z	SCREW	83			LP40357-002A	TENSION SPRING
11			LP30409-002C	UV CATCHER 2	84			LP40461-001A	CAPSTAN BRAKE ASSY
12			LP30409-002C	UV CATCHER 2	85			QAR0087-005	CAPSTAN MOTOR
13			QYTPST2606Z	SCREW,X2	86			QYTDST2606M	SCREW,X3
15			LP30223-003C	LOADING ARM GEAR SHAFT	87			LP30005-007A	BELT,CAPSTAN MOTOR
16			QYTDST2606Z	SCREW	88			LP40114-012A	IDLER ARM ASSY
18			LP30224-001B	LOADING ARM GEAR(SUPPLY)	89			LP40599-001A	WASHER
19			LP40099-001A	TORSION ARM	90			LP40593-001A	CLUTCH UNIT 3
20			LP40100-001A	PIN	91			LP30002-097A	SPACER, CAPSTAN MOTOR
21			LP40101-006A	POLE BASE ASSY(SUPPLY)	92			PQM30017-47	SLIT WASHER
22			QYSPSTG2606Z	SCREW	93			LP30696-002A	CLUTCH GEAR 4
23			LP40103-002B	LOADING ARM GEAR(TAKE UP)	94			LP30697-003A	COUPLING GEAR
24			LP40099-001A	TORSION ARM	95			LP40554-002A	COMPRESSION SPRING
25			LP40100-002A	PIN	96			LP40442-001A	DIRECT GEAR
26			LP40104-006A	POLE BASE ASSY(TAKE UP)	97			LP30017-019A	SPACER
27			QYSPSTG2606Z	SCREW	99			LP40483-002A	COMPRESSION SPRING
31			LP20233-004B	ROTARY ENCODER GUIDE	100			LP30016-001A	SLIT WASHER
32			QYTPST2606Z	SCREW	102			LP40484-001J	CHANGE LEVER ASSY
34			LP30226-004E	CONTROL PLATE GUIDE	103			LP40512-002B	COMPRESSION SPRING
35			QYTPST2605Z	SCREW	104			LP30236-002C	IDLER LEVER
36			LP30249-003B	TAKE UP LEVER	105			LP20237-001B	REEL DISK (SUPPLY)
37			LP30003-006A	TENSION SPRING	106			LP20238-001B	REEL DISK (TAKE UP)
38			LP40119-002A	TAKE UP HEAD	107			LP30017-015A	SPACER,X2
39			LP20234-004B	LID GUIDE	108			QSW0554-003	ROTARY ENCODER
40			QYTDST2606Z	SCREW,X2	109			QYTPST2620Z	SCREW
42			LP40105-003A	PINCH ROLLER ARM ASSY	110			LP30237-002B	CASSETTE GEAR
43			LP40753-001A	PINCH ROLLER SHEET3	111			LP30239-002G	LIMIT GEAR(1)
44			LP40148-002A	TORSION SPRING	112			LP30240-002G	LIMIT GEAR(2)
46			LP40149-001C	PRESS LEVER ASSY	113			LP40136-001E	TORSION SPRING
49			LP40106-007A	GUIDE ARM ASSY	114			LP30242-002A	RELAY GEAR
51			LP40134-002A	TENSION SPRING	115			LP30339-002E	OPENER GUIDE
52			QAH0058-001	AC HEAD	116			LP40545-001A	TORSION SPRING
53			LP30228-001C	HEAD BASE	117			LP40214-001B	C.H.BRACKET
54			LP30004-013A	COMPRESSION SPRING,X3	118			PQM30017-47	SLIT WASHER,X2
55			LP40236-001A	COMPRESSION SPRING	119			LP30243-002A	DRIVE GEAR
57			LP40213-002B	SPECIAL SCREW,X3	120			LP20240-001G	DRIVE ARM
58			QYTDST2608Z	SCREW,X2	121			LP40137-001A	TORSION SPRING
59			QAR0023-001	LOADING MOTOR	122			LP10081-002L	SIDE HOLDER(L)
60			PQ43546-1-2	MOTOR PULLEY	123			LP10082-002M	SIDE HOLDER(R)
61			LP30230-001B	MOTOR GUIDE	124			LP30255-006A	LOCK LEVER(L)
62			QYTPSP3003Z	SCREW,X2	127			LP30256-001H	LOCK LEVER(R)
63			LP30005-003A	BELT,LOADING MOTOR	128			LP40168-003A	TORSION SPRING(L)
64			LP20791-002D	CONTROL CAM	129			LP40218-001B	TORSION SPRING(R)
65			PQM30017-24	SLIT WASHER	130			LP30257-001G	CASSETTE HOLDER
66			LP40120-001A	WORM GEAR	131			LP40852-001A	EARTH PLATE
67			LP40107-002A	LINK LEVER ASSY	132			LP30244-002G	GUIDE RAIL
68			PQM30017-24	SLIT WASHER	134			LP30245-002F	REC SAFETY LEVER
69			LP10201-003G	CONTROL PLATE	135			LP30003-004A	TENSION SPRING
70			LP40379-001B	CONTROL BRACKET(1)	137			LP20578-001C	TOP GUIDE
71			QYTDST2608M	SCREW	138			LP30500-001C	HOLD PLATE
72			LP40108-002A	TENSION ARM ASSY	139			LP40450-003A	PAD,X2
73			LP30003-010A	TENSION SPRING	140			LP30003-025B	TENSION SPRING
74			LP40109-003D	TENSION BRAKE ASSY	141			LP30003-024A	TENSION SPRING
					142			LP40481-003A	ROLLER CAM ASSY
					143			LP30019-014A	PAD,X2
					151			LP20324-003B	DOOR OPENER

5.4 ELECTRICAL PARTS LIST

#	△ REF No.	PART No.	PART NAME, DESCRIPTION

MAIN BOARD ASSEMBLY <03>			
	PW1	LPA10130-26A1	MAIN BOARD ASSY,J496EN
		LPA10130-27A1	MAIN BOARD ASSY,J696EN
	IC1	JCP8021-MVD	IC
		or JCP8021-MVD-2	IC
		or JCP8051-MVA	IC
△	IC2201	AN3663FBP	IC,J696EN
	IC3001	MN101D02GWJ	IC
		or MN101DP02JAFWJ	IC
	IC3002	BA6956AN	IC
	IC3003	S-80823ANNP-W	IC
		or IC-PST3423U-X	IC
	IC3004	S-24C02BFJ-X	IC
		or BR24C02F-W-X	IC
		or AT24C02N-10SC-X	IC
		or 24LC02B/SN-X	IC
	IC5301	L5431	IC
		or MM1431AT	IC
		or UTCTL431	IC
	IC7002	GP1U291Q	IR DETECT UNIT,J696EN
		or PIC-28143LJ	IR DETECT UNIT,J696EN
		or PIC-37143LJ	IR DETECT UNIT,J696EN
		or PNA4652M00YC	IR DETECT UNIT,J696EN
	IC7042	GP1U291Q	IR DETECT UNIT,J496EN
		or PIC-28143LJ	IR DETECT UNIT,J496EN
		or PNA4652M00YC	IR DETECT UNIT,J496EN
		or PIC-37143LJ	IR DETECT UNIT,J496EN
	Q1	2SC4081/S-X	TRANSISTOR,J696EN
	Q2	2SC4081/S-X	TRANSISTOR,J696EN
	Q3	2SC4081/S-X	TRANSISTOR,J696EN
	Q4	2SC4081/S-X	TRANSISTOR,J696EN
	Q12	2SA1576A/QR/-X	TRANSISTOR
		or 2PA1576/R/-X	TRANSISTOR
		or 2SB1218A/QR/-X	TRANSISTOR
	Q22	2SC4081/QRS/-X	TRANSISTOR
		or 2PC4081/R/-X	TRANSISTOR
	Q32	DTC144WU	TRANSISTOR
		or PDTC144WU	TRANSISTOR
		or RN1309	TRANSISTOR
		or UN521E	TRANSISTOR
	Q38	2SC4081/QRS/-X	TRANSISTOR
		or 2PC4081/R/-X	TRANSISTOR
		or 2SD1819A/QRS/-X	TRANSISTOR
	Q901	2SA1576A/QRS/-X	TRANSISTOR
		or 2PA1576/R/-X	TRANSISTOR
	Q2001	2SC4081/QRS/-X	TRANSISTOR
		or 2PC4081/R/-X	TRANSISTOR
		or 2SD1819A/QRS/-X	TRANSISTOR
	Q2002	2SC4081/QRS/-X	TRANSISTOR
		or 2SD1819A/QRS/-X	TRANSISTOR
		or 2PC4081/R/-X	TRANSISTOR
	Q2003	DTA144WU	TRANSISTOR
		or PDTA144WU	TRANSISTOR
		or RN2309	TRANSISTOR
		or UN511E	TRANSISTOR
	Q2051	2SC4081/QRS/-X	TRANSISTOR
		or 2PC4081/R/-X	TRANSISTOR
		or 2SD1819A/QRS/-X	TRANSISTOR

#	△ REF No.	PART No.	PART NAME, DESCRIPTION
	Q2052	2SA1576A/QR/-X	TRANSISTOR
		or 2SB1218A/QR/-X	TRANSISTOR
		or 2PA1576/R/-X	TRANSISTOR
	Q2053	DTC144WU	TRANSISTOR
		or PDTC144WU	TRANSISTOR
		or RN1309	TRANSISTOR
		or UN521E	TRANSISTOR
	Q2054	2SA1576A/QR/-X	TRANSISTOR
		or 2PA1576/R/-X	TRANSISTOR
		or 2SB1218A/QR/-X	TRANSISTOR
	Q2055	DTC144WU	TRANSISTOR
		or PDTC144WU	TRANSISTOR
		or RN1309	TRANSISTOR
		or UN521E	TRANSISTOR
	Q2201	DTA144WU	TRANSISTOR,J696EN
		or PDTA144WU	TRANSISTOR,J696EN
		or RN2309	TRANSISTOR,J696EN
		or UN511E	TRANSISTOR,J696EN
	Q2202	DTC144WU	TRANSISTOR,J696EN
		or PDTC144WU	TRANSISTOR,J696EN
		or RN1309	TRANSISTOR,J696EN
		or UN521E	TRANSISTOR,J696EN
	Q2203	2SC4081/QRS/-X	TRANSISTOR,J696EN
		or 2PC4081/R/-X	TRANSISTOR,J696EN
		or 2SD1819A/QRS/-X	TRANSISTOR,J696EN
	Q2204	2SC4081/QRS/-X	TRANSISTOR,J696EN
		or 2PC4081/R/-X	TRANSISTOR,J696EN
		or 2SD1819A/QRS/-X	TRANSISTOR,J696EN
	Q3002	PTZ-NV16A	PHOTO TRANSISTOR
	Q3004	2SD1819A/QRS/-X	TRANSISTOR
		or 2SC4081/QRS/-X	TRANSISTOR
		or 2PC4081/R/-X	TRANSISTOR
	Q4001	UN5211	TRANSISTOR
		or DTC114EU	TRANSISTOR
		or PDTC114EU	TRANSISTOR
		or RN1302	TRANSISTOR
	Q4002	2SD1819A/QRS/-X	TRANSISTOR
		or 2SC4081/QRS/-X	TRANSISTOR
		or 2PC4081/R/-X	TRANSISTOR
	Q5101	2SK2632-CB14	POWER MOS FET
		or 2SK2632	POWER MOS FET
		or 2SK2129-LT	POWER MOS FET
		or 2SK2129	POWER MOS FET
	Q5102	2SD2144S/UV/-T	TRANSISTOR
	Q5303	2SD1819A/RS/-X	TRANSISTOR
		or 2SC4081/RS/-X	TRANSISTOR
		or 2PC4081/R/-X	TRANSISTOR
	Q5304	2SD2144S/UV/-T	TRANSISTOR
	Q5305	DTA114EU	TRANSISTOR
		or PDTA114EU	TRANSISTOR
		or UN5111	TRANSISTOR
		or RN2302	TRANSISTOR
	Q5306	DTC114EU	TRANSISTOR
		or PDTC114EU	TRANSISTOR
		or UN5211	TRANSISTOR
		or RN1302	TRANSISTOR
	Q5321	2SC3616/ML/-T	TRANSISTOR
	Q6030	2SB1218A/QR/-X	TRANSISTOR
		or 2SA1576A/QR/-X	TRANSISTOR
		or 2PA1576/R/-X	TRANSISTOR
	Q7001	DTA143TU	TRANSISTOR

#	△	REF No.	PART No.	PART NAME, DESCRIPTION	#	△	REF No.	PART No.	PART NAME, DESCRIPTION		
			Q7002	DTA143TU	TRANSISTOR			D5304	1SS133	DIODE	
			Q7003	DTA143TU	TRANSISTOR				or 1SS270A	DIODE	
			Q7004	DTA143TU	TRANSISTOR			D5307	QUY160-100Y	IM BUS WIRE	
			Q7005	DTA143TU	TRANSISTOR			D5316	QUY160-100Y	IM BUS WIRE	
			Q7006	DTC143TU	TRANSISTOR			D6002	HZ30-2L-T2	ZENER DIODE	
			Q7007	DTC143TU	TRANSISTOR				or HZ30-2LTD	Z DIODE (M)	
			Q7008	DTC143TU	TRANSISTOR			D7009	SLR-325VC-T	LE DIODE,J696EN	
			Q7009	DTC143TU	TRANSISTOR			R1	NRSA63J-682X	MG RESISTOR	6.8kΩ,1/16W
			Q7010	DTC143TU	TRANSISTOR			R2	NRSA63J-152X	MG RESISTOR	1.5kΩ,1/16W
			Q7011	DTC143TU	TRANSISTOR			R3	NRSA63J-822X	MG RESISTOR	8.2kΩ,1/16W
			Q7012	DTC143TU	TRANSISTOR			R6	NRSA63J-273X	MG RESISTOR	27kΩ,1/16W
			Q7013	DTC144WU	TRANSISTOR,J696EN			R7	NRSA63J-681X	MG RESISTOR	680Ω,1/16W
			D3001	LNB2301L01VI	LE DIODE			R8	NRSA63J-0R0X	MG RESISTOR	0Ω,1/16W
			D3002	1SS133	DIODE			R9	NRSA63J-0R0X	MG RESISTOR	0Ω,1/16W
				or 1SS270A	DIODE			R12	QUY153-050Y	IM BUS WIRE	
			D3004	11ES2	DIODE			R21	NRSA02J-102X	MG RESISTOR,J696EN	1kΩ,1/10W
				or 1A3G	DIODE			R22	NRSA63J-102X	MG RESISTOR,J696EN	1kΩ,1/16W
			D3005	11ES2	DIODE			R37	NRSA63J-0R0X	MG RESISTOR	0Ω,1/16W
				or 1A3G	DIODE			R42	NRSA63J-681X	MG RESISTOR	680Ω,1/16W
			D3006	RD33ES/B2/-T2	ZENER DIODE			R44	NRSA63J-822X	MG RESISTOR	8.2kΩ,1/16W
				or MTZJ33B	ZENER DIODE			R45	NRSA63J-103X	MG RESISTOR	10kΩ,1/16W
	△		D3008	RB721Q-40-T2	SB DIODE			R49	NRSA63J-561X	MG RESISTOR	560Ω,1/16W
			D3017	1SS133	DIODE,J696EN			R66	NRSA63J-104X	MG RESISTOR	100kΩ,1/16W
				or 1SS270A	DIODE,J696EN			R77	NRSA63J-103X	MG RESISTOR	100kΩ,1/16W
			D5001	S1WB/A/60-4102	BRIDGE DIODE			R90	NRSA63J-391X	MG RESISTOR	390Ω,1/16W
				or S1WB(A)60F4072X	BRIDGE DIODE			R92	NRSA63J-152X	MG RESISTOR	1.5kΩ,1/16W
				or S1WB/A/60-X	BRIDGE DIODE			R93	NRSA63J-222X	MG RESISTOR	2.2kΩ,1/16W
			D5101	AU01	FR DIODE			R104	NRSA63J-682X	MG RESISTOR	6.8kΩ,1/16W
				or ERA18-04-T2	FR DIODE			R118	NRSA63J-0R0X	MG RESISTOR	0Ω,1/16W
				or 10ELS4	FR DIODE			R201	NRSA02J-332X	MG RESISTOR	3.3kΩ,1/10W
				or 1SR153-400-T2	FR DIODE			R202	NRSA02J-222X	MG RESISTOR	2.2kΩ,1/10W
			D5102	AU01	FR DIODE			R203	NRSA02J-101X	MG RESISTOR	100Ω,1/10W
				or ERA18-04-T2	FR DIODE			R204	NRSA02J-101X	MG RESISTOR	100Ω,1/10W
				or 1SR153-400-T2	FR DIODE			R901	NRSA02J-750X	MG RESISTOR	75Ω,1/10W
				or 10ELS4	FR DIODE			R904	QRE123J-331X	RESISTOR	330Ω,1/2W
			D5103	1SS133	DIODE			R905	NRSA02J-101X	MG RESISTOR	100Ω,1/10W
				or 1SS270A	DIODE			R911	NRSA02J-750X	MG RESISTOR	75Ω,1/10W
			D5105	1SS133	DIODE			R2001	NRSA02J-101X	MG RESISTOR,J496EN	100Ω,1/10W
				or 1SS270A	DIODE			R2003	NRSA02J-101X	MG RESISTOR,J696EN	100Ω,1/10W
			D5203	AU01Z	FR DIODE				NRSA02J-681X	MG RESISTOR,J496EN	680Ω,1/10W
				or ERA18-02-T2	FR DIODE			R2004	NRSA02J-272X	MG RESISTOR,J496EN	2.7kΩ,1/10W
				or PG104RS	FR DIODE			R2005	NRSA02J-333X	MG RESISTOR,J496EN	33kΩ,1/10W
				or 1SR153-400-T2	FR DIODE			R2007	NRSA02J-123X	MG RESISTOR,J696EN	12kΩ,1/10W
				or 10ELS2	FR DIODE				NRSA02J-473X	MG RESISTOR,J496EN	47kΩ,1/10W
			D5204	AU01Z	FR DIODE			R2008	NRSA02J-473X	MG RESISTOR,J496EN	47kΩ,1/10W
				or ERA18-02-T2	FR DIODE			R2010	NRSA02J-682X	MG RESISTOR,J496EN	6.8kΩ,1/10W
				or 1SR153-400-T2	FR DIODE				NRSA02J-123X	MG RESISTOR,J696EN	12kΩ,1/10W
				or 10ELS2	FR DIODE			R2013	NRSA63J-682X	MG RESISTOR	6.8kΩ,1/16W
				or PG104RS	FR DIODE			R2014	NRSA63J-224X	MG RESISTOR	220kΩ,1/16W
			D5207	AK04	DIODE			R2015	NRSA63J-121X	MG RESISTOR	120Ω,1/16W
				or 11EQS04	SB DIODE			R2016	NRSA63J-473X	MG RESISTOR	47kΩ,1/16W
			D5210	AU01Z	FR DIODE			R2017	NRSA63J-183X	MG RESISTOR	18kΩ,1/16W
				or ERA18-02-T2	FR DIODE			R2018	NRSA63J-472X	MG RESISTOR	4.7kΩ,1/16W
				or PG104RS	FR DIODE			R2019	NRSA63J-472X	MG RESISTOR	4.7kΩ,1/16W
				or 10ELS2	FR DIODE			R2024	NRSA63J-332X	MG RESISTOR	3.3kΩ,1/16W
				or 1SR153-400-T2	FR DIODE			R2053	NRSA63J-562X	MG RESISTOR	5.6kΩ,1/16W
			D5301	MTZJ15C	ZENER DIODE			R2054	NRSA02J-123X	MG RESISTOR	12kΩ,1/10W
				or RD15ES/B3/-T2	ZENER DIODE			R2055	NRSA02J-3R3X	MG RESISTOR	3.3Ω,1/10W
			D5302	QUY153-050Y	IM BUS WIRE			R2056	NRSA02J-820X	MG RESISTOR	82Ω,1/10W
			D5303	RD5.1JS/B2/-T2	ZENER DIODE			R2057	NRSA02J-473X	MG RESISTOR	47kΩ,1/10W
				or MA4051N/M/-T2	ZENER DIODE			R2058	NRSA02J-183X	MG RESISTOR	18kΩ,1/10W

#	△ REF No.	PART No.	PART NAME, DESCRIPTION	#	△ REF No.	PART No.	PART NAME, DESCRIPTION
R2059		NRSA02J-473X	MG RESISTOR 47kΩ,1/10W	△ R3235		NRSA02J-102X	MG RESISTOR 1kΩ,1/10W
R2060		NRSA02J-183X	MG RESISTOR 18kΩ,1/10W	R3237		NRSA02J-472X	MG RESISTOR 4.7kΩ,1/10W
R2203		NRSA02J-473X	MG RESISTOR,J696EN 47kΩ,1/10W	R3238		NRSA02J-472X	MG RESISTOR 4.7kΩ,1/10W
R2204		NRSA02J-682X	MG RESISTOR,J696EN 6.8kΩ,1/10W	R3240		QRE141J-103Y	RESISTOR,J696EN 10kΩ,1/4W
R2207		NRSA02J-473X	MG RESISTOR,J696EN 47kΩ,1/10W	R3241		QRE141J-103Y	RESISTOR,J696EN 10kΩ,1/4W
R2208		NRSA02J-682X	MG RESISTOR,J696EN 6.8kΩ,1/10W	R4001		QRE141J-222Y	RESISTOR 2.2kΩ,1/4W
R2209		NRSA02J-101X	MG RESISTOR,J696EN 100Ω,1/10W	R4002		QRE141J-562Y	RESISTOR 5.6kΩ,1/4W
R2210		NRSA02J-472X	MG RESISTOR,J696EN 4.7kΩ,1/10W	R4003		NRSA02J-222X	MG RESISTOR 2.2kΩ,1/10W
R2211		NRSA02J-332X	MG RESISTOR,J696EN 3.3kΩ,1/10W	R4004		QUY160-100Y	IM BUS WIRE
R2212		NRSA02J-332X	MG RESISTOR,J696EN 3.3kΩ,1/10W	R4006		NRSA02J-472X	MG RESISTOR 4.7kΩ,1/10W
R2213		NRSA02J-472X	MG RESISTOR,J696EN 4.7kΩ,1/10W	R4010		NRSA02J-471X	MG RESISTOR 470Ω,1/10W
R2214		NRSA02J-101X	MG RESISTOR,J696EN 100Ω,1/10W	R4011		NRSA02J-471X	MG RESISTOR 470Ω,1/10W
R2215		QRE141J-221Y	RESISTOR,J696EN 220Ω,1/4W	R4012		NRSA02J-153X	MG RESISTOR 15kΩ,1/10W
R2216		NRSA02J-102X	MG RESISTOR,J696EN 1kΩ,1/10W	R4013		NRSA02J-102X	MG RESISTOR 1kΩ,1/10W
R2217		NRSA02J-472X	MG RESISTOR,J696EN 4.7kΩ,1/10W	R4018		NRSA02J-103X	MG RESISTOR 10kΩ,1/10W
R2218		NRSA02J-392X	MG RESISTOR,J696EN 3.9kΩ,1/10W	R4019		NRSA02J-102X	MG RESISTOR 1kΩ,1/10W
R2219		NRSA02J-102X	MG RESISTOR,J696EN 1kΩ,1/10W	R4020		NRSA02J-102X	MG RESISTOR 1kΩ,1/10W
R2220		NRSA02J-102X	MG RESISTOR,J696EN 1kΩ,1/10W	R4021		NRSA02J-103X	MG RESISTOR 10kΩ,1/10W
R2221		QRE141J-102Y	RESISTOR,J696EN 1kΩ,1/4W	R4024		QRE141J-103Y	RESISTOR 10kΩ,1/4W
R2222		NRSA02J-0R0X	MG RESISTOR,J696EN 0Ω,1/10W	R5101		QRE141J-224Y	RESISTOR 220kΩ,1/4W
R2225		NRSA02J-0R0X	MG RESISTOR,J696EN 0Ω,1/10W	R5102		QRE141J-224Y	RESISTOR 220kΩ,1/4W
R2251		NRSA63J-472X	MG RESISTOR,J696EN 4.7kΩ,1/16W	R5103		QRE141J-683Y	RESISTOR 68kΩ,1/4W
R2252		NRSA63J-332X	MG RESISTOR,J696EN 3.3kΩ,1/16W	R5104		QRG02GJ-683	OMF RESISTOR 68kΩ,2W
R2253		QRE141J-101Y	RESISTOR,J696EN 100Ω,1/4W	R5106		QRT01DJ-R39X	MF RESISTOR 0.39Ω,1W
R2255		NRSA63J-273X	MG RESISTOR,J696EN 27kΩ,1/16W	R5107		QRE121J-331Y	RESISTOR 330Ω,1/2W
R3001		NRSA02J-0R0X	MG RESISTOR 0Ω,1/10W	R5108		NRSA02J-122X	MG RESISTOR 1.2kΩ,1/10W
R3017		NRSA02J-102X	MG RESISTOR 1kΩ,1/10W	R5109		QRE141J-681Y	RESISTOR 680Ω,1/4W
R3018		NRSA02J-102X	MG RESISTOR 1kΩ,1/10W	R5110		NRSA02J-224X	MG RESISTOR 220kΩ,1/10W
R3021		QUY160-100Y	IM BUS WIRE	R5111		NRSA02J-821X	MG RESISTOR 820Ω,1/10W
R3027		QUY160-100Y	IM BUS WIRE	R5112		NRSA02J-221X	MG RESISTOR 220Ω,1/10W
R3028		NRSA63J-102X	MG RESISTOR 1kΩ,1/16W	R5301		NRSA02J-472X	MG RESISTOR 4.7kΩ,1/10W
R3042		NRSA02J-0R0X	MG RESISTOR 0Ω,1/10W	R5302		NRSA02J-152X	MG RESISTOR 1.5kΩ,1/10W
R3056		NRSA02J-102X	MG RESISTOR 1kΩ,1/10W	R5303		NRSA02J-152X	MG RESISTOR 1.5kΩ,1/10W
R3057		NRSA02J-102X	MG RESISTOR 1kΩ,1/10W	R5304		NRSA02J-471X	MG RESISTOR 470Ω,1/10W
R3060		NRSA02J-0R0X	MG RESISTOR 0Ω,1/10W	R5305		NRSA02J-102X	MG RESISTOR 1kΩ,1/10W
R3090		NRSA02J-102X	MG RESISTOR 1kΩ,1/10W	R5306		NRSA02J-471X	MG RESISTOR 470Ω,1/10W
R3116		NRSA02J-103X	MG RESISTOR 10kΩ,1/10W	R5308		NRSA02J-471X	MG RESISTOR 470Ω,1/10W
R3117		NRSA02J-103X	MG RESISTOR 10kΩ,1/10W	R5309		NRSA02J-103X	MG RESISTOR 10kΩ,1/10W
R3201		NRSA02J-332X	MG RESISTOR 3.3kΩ,1/10W	R5310		NRSA02J-471X	MG RESISTOR 470Ω,1/10W
R3206		NRSA02J-103X	MG RESISTOR 10kΩ,1/10W	R5311		NRSA02J-473X	MG RESISTOR 47kΩ,1/10W
R3207		NRSA02J-103X	MG RESISTOR 10kΩ,1/10W	R5312		NRVA02D-332X	CMF RESISTOR 3.3kΩ,1/10W
R3208		NRSA02J-103X	MG RESISTOR 10kΩ,1/10W	R5313		NRVA02D-362X	CMF RESISTOR 3.6kΩ,1/10W
R3209		QRE141J-181Y	RESISTOR 180Ω,1/4W	R5314		NRSA02J-332X	MG RESISTOR 3.3kΩ,1/10W
R3211		NRSA02J-183X	MG RESISTOR 18kΩ,1/10W	R5316		NRVA02D-822X	CMF RESISTOR 8.2kΩ,1/10W
R3212		NRSA02J-181X	MG RESISTOR 180Ω,1/10W	R5331		QRL02DJ-101X	OMF RESISTOR 100Ω,2W
R3213		QRE141J-273Y	RESISTOR 27kΩ,1/4W	R5332		QRE141J-222Y	RESISTOR 2.2kΩ,1/4W
R3214		NRSA02J-181X	MG RESISTOR 180Ω,1/10W	R5333		QRL02DJ-391X	OMF RESISTOR 390Ω,2W
R3215		NRSA02J-273X	MG RESISTOR 27kΩ,1/10W	R5334		QRL02DJ-391X	OMF RESISTOR 390Ω,2W
R3216		NRSA02J-474X	MG RESISTOR 470kΩ,1/10W	R6020		NRSA02J-102X	MG RESISTOR 1kΩ,1/10W
R3217		NRSA02J-334X	MG RESISTOR 330kΩ,1/10W	R6021		NRSA02J-102X	MG RESISTOR 1kΩ,1/10W
R3218		NRSA02J-562X	MG RESISTOR 5.6kΩ,1/10W	R6030		NRSA02J-332X	MG RESISTOR 3.3kΩ,1/10W
R3219		QRE141J-103Y	RESISTOR 10kΩ,1/4W	R6031		QUY153-050Y	IM BUS WIRE
R3220		NRSA02J-103X	MG RESISTOR 10kΩ,1/10W	R6032		NRSA02J-153X	MG RESISTOR,J496EN 15kΩ,1/10W
R3222		NRSA02J-472X	MG RESISTOR 4.7kΩ,1/10W	R6033		NRSA02J-103X	MG RESISTOR,J496EN 10kΩ,1/10W
R3223		NRSA63J-105X	MG RESISTOR 1MΩ,1/16W	R6050		QUY160-100Y	IM BUS WIRE
R3224		NRSA63J-101X	MG RESISTOR 100Ω,1/16W	R6054		NRSA02J-102X	MG RESISTOR 1kΩ,1/10W
R3226		NRSA02J-103X	MG RESISTOR 10kΩ,1/10W	R6502		NRSA02J-332X	MG RESISTOR,J696EN 3.3kΩ,1/10W
R3227		NRSA02J-103X	MG RESISTOR 10kΩ,1/10W	R6503		NRSA02J-153X	MG RESISTOR,J696EN 15kΩ,1/10W
R3232		QRE141J-104Y	RESISTOR 100kΩ,1/4W	R6504		NRSA02J-103X	MG RESISTOR,J696EN 10kΩ,1/10W
R3233		NRSA02J-472X	MG RESISTOR 4.7kΩ,1/10W	R7001		QRE141J-331Y	RESISTOR 330Ω,1/4W
R3234		NRSA02J-472X	MG RESISTOR 4.7kΩ,1/10W	R7002		NRSA02J-331X	MG RESISTOR 330Ω,1/10W

#	△	REF No.	PART No.	PART NAME, DESCRIPTION	#	△	REF No.	PART No.	PART NAME, DESCRIPTION
R7003			NRSA02J-331X	MG RESISTOR 330Ω,1/10W	C25		NDC31HJ-5R0X	CAPACITOR 5pF,50V	
R7004			NRSA02J-331X	MG RESISTOR 330Ω,1/10W	C26		NCB31CK-223X	CAPACITOR 0.022μF,16V	
R7005			NRSA63J-331X	MG RESISTOR 330Ω,1/16W	C27		NCB31EK-223X	CAPACITOR 0.022μF,25V	
R7006			NRSA02J-331X	MG RESISTOR 330Ω,1/10W	C28		QEKJ1HM-335	E CAPACITOR 3.3μF,50V	
R7007			NRSA63J-331X	MG RESISTOR 330Ω,1/16W	C29		NCB31CK-333X	CAPACITOR 0.033μF,16V	
R7008			NRSA02J-331X	MG RESISTOR,J696EN 330Ω,1/10W	C30		QEKJ1HM-474	E CAPACITOR 0.47μF,50V	
R7015			QUY153-050Y	IM BUS WIRE,J696EN	C31		QEKJ0JM-476	E CAPACITOR 47μF,6.3V	
R7020			NRSA02J-103X	MG RESISTOR 10kΩ,1/10W	C32		QDYB1CM-103Y	CAPACITOR 0.01μF,16V	
R7021			NRSA02J-122X	MG RESISTOR 1.2kΩ,1/10W	C33		QEKJ1HM-225	E CAPACITOR 2.2μF,50V	
R7022			NRSA02J-182X	MG RESISTOR 1.8kΩ,1/10W	C34		NCB21CK-224X	CAPACITOR 0.22μF,16V	
R7023			NRSA02J-222X	MG RESISTOR 2.2kΩ,1/10W	C35		NCB31CK-333X	CAPACITOR,J696EN 0.033μF,16V	
R7024			NRSA02J-272X	MG RESISTOR 2.7kΩ,1/10W			NCB31EK-103X	CAPACITOR,J496EN 0.01μF,25V	
R7025			NRSA02J-472X	MG RESISTOR,J696EN 4.7kΩ,1/10W	C36		QEKJ1EM-475	E CAPACITOR 4.7μF,25V	
R7030			NRSA02J-103X	MG RESISTOR 10kΩ,1/10W	C37		QEKJ1HM-105	E CAPACITOR 1μF,50V	
R7031			NRSA02J-122X	MG RESISTOR 1.2kΩ,1/10W	C38		QEKJ0JM-476	E CAPACITOR 47μF,6.3V	
R7032			NRSA02J-182X	MG RESISTOR 1.8kΩ,1/10W	C39		NCB31CK-223X	CAPACITOR 0.022μF,16V	
R7033			NRSA02J-222X	MG RESISTOR 2.2kΩ,1/10W	C40		QEKJ1CM-106	E CAPACITOR 10μF,16V	
R7034			NRSA02J-272X	MG RESISTOR 2.7kΩ,1/10W	C54		NCB31EK-103X	CAPACITOR 0.01μF,25V	
R7035			NRSA02J-472X	MG RESISTOR 4.7kΩ,1/10W	C62		NCB31CK-104X	CAPACITOR 0.1μF,16V	
R7036			NRSA02J-682X	MG RESISTOR 6.8kΩ,1/10W	C69		NCB31EK-103X	CAPACITOR,J696EN 0.01μF,25V	
R7037			NRSA02J-563X	MG RESISTOR 56kΩ,1/10W	C70		NCB31EK-103X	CAPACITOR,J696EN 0.01μF,25V	
R7046			QUY153-050Y	IM BUS WIRE,J496EN	C106		NCB31HK-821X	CAPACITOR 820pF,50V	
B6			NRSA63J-0R0X	MG RESISTOR 0Ω,1/16W	C109		NCB31AK-224X	CAPACITOR 0.22μF,10V	
B201			NRSA02J-0R0X	MG RESISTOR 0Ω,1/10W	C110		NDC31HJ-820X	CAPACITOR 82pF,50V	
B2001			QUY153-050Y	IM BUS WIRE,J496EN	C201		QERF0JM-476	E CAPACITOR,J696EN 47μF,6.3V	
B2002			QUY153-050Y	IM BUS WIRE,J496EN			QERF0JM-107	E CAPACITOR,J496EN 100μF,6.3V	
B5001			QUY160-100Y	IM BUS WIRE	C202		NCB21EK-223X	CAPACITOR 0.022μF,25V	
B5002			QUY160-100Y	IM BUS WIRE	C203		QERF1HM-105	E CAPACITOR 1μF,50V	
B5301			NRSA02J-0R0X	MG RESISTOR 0Ω,1/10W	C205		NDC21HJ-101X	CAPACITOR 100pF,50V	
B6020			QUY160-075Y	IM BUS WIRE	C207		NCF21CZ-105X	CAPACITOR 1μF,16V	
B7002			NRSA02J-0R0X	MG RESISTOR,J696EN 0Ω,1/10W	C208		NDC21HJ-101X	CAPACITOR 100pF,50V	
B7005			NRSA02J-0R0X	MG RESISTOR,J696EN 0Ω,1/10W	C209		NCB21HK-103X	CAPACITOR 0.01μF,50V	
B7006			NRSA02J-0R0X	MG RESISTOR,J696EN 0Ω,1/10W	C210		NCB21HK-222X	CAPACITOR 0.0022μF,50V	
B7009			NRSA02J-0R0X	MG RESISTOR 0Ω,1/10W	C211		NCB21HK-103X	CAPACITOR 0.01μF,50V	
C1			NCB31CK-104X	CAPACITOR,J496EN 0.1μF,16V	C901		QETN0JM-477	E CAPACITOR 470μF,6.3V	
			NCB31EK-103X	CAPACITOR,J696EN 0.01μF,25V	C904		NCB21EK-223X	CAPACITOR 0.022μF,25V	
C2			NCB31CK-104X	CAPACITOR,J496EN 0.1μF,16V	C2001		QEKJ1HM-475	E CAPACITOR 4.7μF,50V	
			NCB31EK-103X	CAPACITOR,J696EN 0.01μF,25V	C2002		QEKJ1HM-105	E CAPACITOR 1μF,50V	
C3			NCB31CK-104X	CAPACITOR,J496EN 0.1μF,16V	C2003		QEKJ0JM-476	E CAPACITOR 47μF,6.3V	
			NCB31EK-103X	CAPACITOR,J696EN 0.01μF,25V	C2005		QEKJ1HM-475	E CAPACITOR 4.7μF,50V	
C4			NCB31CK-104X	CAPACITOR,J496EN 0.1μF,16V	C2006		NCB31EK-123X	CAPACITOR 0.012μF,25V	
			NCB31EK-103X	CAPACITOR,J696EN 0.01μF,25V	C2007		QEKJ1CM-226	E CAPACITOR 22μF,16V	
C5			QEK1CM-476	E CAPACITOR 47μF,16V	C2008		QEKJ1HM-475	E CAPACITOR 4.7μF,50V	
C6			NCB11EK-104X	CAPACITOR 0.1μF,25V	C2009		NCB31HK-102X	CAPACITOR 0.001μF,50V	
C7			NCB21HK-471X	CAPACITOR 470pF,50V	C2010		NCB31HK-222X	CAPACITOR 0.0022μF,50V	
C8			NCB31CK-104X	CAPACITOR 0.1μF,16V	C2011		QEKJ1HM-475	E CAPACITOR 4.7μF,50V	
C9			NCB31EK-103X	CAPACITOR 0.01μF,25V	C2012		QEKJ1HM-475	E CAPACITOR 4.7μF,50V	
C10			NDC31HJ-151X	CAPACITOR 150pF,50V	C2051		QCB1HK-331	CAPACITOR 330pF,50V	
C11			NCB31CK-104X	CAPACITOR 0.1μF,16V	C2052		QFN31HJ-823	F CAPACITOR 0.082μF,50V	
C12			NDC31HJ-470X	CAPACITOR 47pF,50V	C2053		NCB21HK-472X	CAPACITOR 0.0047μF,50V	
C14			NCB31CK-104X	CAPACITOR 0.1μF,16V	C2054		NCB21EK-223X	CAPACITOR 0.022μF,25V	
C15			NCB31EK-103X	CAPACITOR 0.01μF,25V	C2055		QEKJ1EM-106	E CAPACITOR 10μF,25V	
C16			NCB31CK-104X	CAPACITOR 0.1μF,16V	C2201		QEKJ1EM-106	E CAPACITOR,J696EN 10μF,25V	
C17			QEKJ1HM-335	E CAPACITOR 3.3μF,50V	C2202		QEKJ1HM-475	E CAPACITOR,J696EN 4.7μF,50V	
C18			QEKJ1HM-105	E CAPACITOR 1μF,50V	C2203		QEKJ1HM-475	E CAPACITOR,J696EN 4.7μF,50V	
C19			QEKJ1HM-225	E CAPACITOR 2.2μF,50V	C2204		QEKJ0JM-336	E CAPACITOR,J696EN 33μF,6.3V	
C20			QEKJ1HM-105	E CAPACITOR 1μF,50V	C2205		QEKJ1EM-106	E CAPACITOR,J696EN 10μF,25V	
C21			NCB31CK-104X	CAPACITOR 0.1μF,16V	C2206		QEKJ1EM-106	E CAPACITOR,J696EN 10μF,25V	
C22			QEKJ0JM-476	E CAPACITOR 47μF,6.3V	C2207		NCB31EK-153X	CAPACITOR,J696EN 0.015μF,25V	
C23			NCB31CK-223X	CAPACITOR 0.022μF,16V	C2208		NCB31EK-153X	CAPACITOR,J696EN 0.015μF,25V	
C24			QCFB1HZ-104	CAPACITOR 0.1μF,50V	C2209		QEKJ1EM-106	E CAPACITOR,J696EN 10μF,25V	

#	△ REF No.	PART No.	PART NAME, DESCRIPTION	#	△ REF No.	PART No.	PART NAME, DESCRIPTION
C2210		QEKJ1EM-106	E CAPACITOR,J696EN 10μF,25V	C5104		QEKJ1HM-105	E CAPACITOR 1μF,50V
C2211		QEKJ0JM-336	E CAPACITOR,J696EN 33μF,6.3V	C5105		QFN31HJ-183	F CAPACITOR 0.018μF,50V
C2212		QEKJ0JM-476	E CAPACITOR,J696EN 47μF,6.3V	C5106		QCB1HJ-271	CAPACITOR 270pF,50V
C2214		QEKJ1EM-106	E CAPACITOR,J696EN 10μF,25V	C5107		QFV11HJ-104	F CAPACITOR 0.1μF,50V
C2215		QEK1EM-106	E CAPACITOR,J696EN 10μF,25V	C5202		QEMT1CM-687	E CAPACITOR 680μF,16V
C2216		QEKJ1CM-476	E CAPACITOR,J696EN 47μF,16V	C5203		QEMT1AM-687	E CAPACITOR 680μF,10V
C2218		QEKJ1EM-106	E CAPACITOR,J696EN 10μF,25V	C5204		QETJ2AM-475	E CAPACITOR 4.7μF,100V
C2219		QEK1CM-226	E CAPACITOR,J696EN 22μF,16V	C5206		QEKJ1CM-476	E CAPACITOR 47μF,16V
C2220		QEKJ1EM-106	E CAPACITOR,J696EN 10μF,25V	C5207		QEKJ1CM-107	E CAPACITOR 100μF,16V
C2221		NCB21EK-223X	CAPACITOR,J696EN 0.022μF,25V	C5301		QEKJ1CM-107	E CAPACITOR 100μF,16V
C2222		NCB31EK-103X	CAPACITOR,J696EN 0.01μF,25V	C5302		QEK1EM-106	E CAPACITOR 10μF,25V
C2251		NCB21HK-103X	CAPACITOR,J696EN 0.01μF,50V	C5303		QEKJ1CM-107	E CAPACITOR 100μF,16V
C2252		NCB31EK-103X	CAPACITOR,J696EN 0.01μF,25V	C5304		QFLC1HJ-102Z	F CAPACITOR 0.001μF,50V
C2253		NCB31EK-103X	CAPACITOR,J696EN 0.01μF,25V	C5305		QFV91HJ-154	F CAPACITOR 0.15μF,50V
C2254		QEKJ0JM-476	E CAPACITOR,J696EN 47μF,6.3V	C6008		NCB21HK-103X	CAPACITOR 0.01μF,50V
C2255		NCB31EK-103X	CAPACITOR,J696EN 0.01μF,25V	C6021		NDC21HJ-101X	CAPACITOR 100pF,50V
C2256		NCB21HK-103X	CAPACITOR,J696EN 0.01μF,50V	C6029		NRSA02J-0R0X	MG RESISTOR 0Ω,1/10W
C2257		NCB31EK-103X	CAPACITOR,J696EN 0.01μF,25V	C6031		QEKJ1EM-106	E CAPACITOR,J496EN 10μF,25V
C2259		QEKJ1HM-334	E CAPACITOR,J696EN 0.33μF,50V	C6053		NCB21HK-102X	CAPACITOR 0.001μF,50V
C2260		NRSA63J-684X	MG RESISTOR,J696EN 680kΩ,1/16W	C6501		NCB21EK-104X	CAPACITOR,J696EN 0.1μF,25V
C2261		NDC31HJ-470X	CAPACITOR,J696EN 47pF,50V	C6502		QEK1HM-106	E CAPACITOR,J696EN 10μF,50V
C2262		NDC31HJ-470X	CAPACITOR,J696EN 47pF,50V	C6503		QEKJ1HM-105	E CAPACITOR,J696EN 1μF,50V
C3001		NCB21EK-223X	CAPACITOR 0.022μF,25V	C6504		QCFB1HZ-104	CAPACITOR,J696EN 0.1μF,50V
C3003		QEKJ1CM-106	E CAPACITOR 10μF,16V	C6506		QEKJ1HM-105	E CAPACITOR,J696EN 1μF,50V
C3004		NDC31HJ-101X	CAPACITOR 100pF,50V	C6508		NCB21EK-223X	CAPACITOR,J696EN 0.022μF,25V
C3008		NCB21HK-103X	CAPACITOR 0.01μF,50V	C6509		NCB21EK-104X	CAPACITOR,J696EN 0.1μF,25V
C3013		QEKJ1CM-106	E CAPACITOR 10μF,16V	C6512		NCB21EK-223X	CAPACITOR,J696EN 0.022μF,25V
C3015		NCB21HK-222X	CAPACITOR 0.0022μF,50V	C6513		QEKJ1HM-225	E CAPACITOR,J696EN 2.2μF,50V
C3016		NDC21HJ-180X	CAPACITOR 18pF,50V	C6514		NCB21EK-223X	CAPACITOR,J696EN 0.022μF,25V
C3017		NDC21HJ-270X	CAPACITOR 27pF,50V	C6515		QEK1HM-335	E CAPACITOR,J696EN 3.3μF,50V
C3018		QAT3725-300Z	TRIM CAPACITOR	C6516		QEKJ1HM-475	E CAPACITOR,J696EN 4.7μF,50V
C3019		NDC21HJ-100X	CAPACITOR 10pF,50V	C6517		NCB21CK-224X	CAPACITOR,J696EN 0.22μF,16V
C3020		NDC21HJ-180X	CAPACITOR 18pF,50V	C6519		NCB21HK-123X	CAPACITOR,J496EN 0.012μF,50V
C3022		NCB21HK-103X	CAPACITOR 0.01μF,50V	C7011		QEKJ0JM-227Z	E CAPACITOR,J696EN 220μF,6.3V
C3023		NCF21CZ-105X	CAPACITOR 1μF,16V	C7013		NCB21HK-103X	CAPACITOR 0.01μF,50V
C3028		QETNOJM-108	E CAPACITOR 1000μF,6.3V	C7014		NCB21HK-103X	CAPACITOR 0.01μF,50V
C3035		NCB31EK-223X	CAPACITOR 0.022μF,25V	C7041		QEKJ0JM-227Z	E CAPACITOR,J496EN 220μF,6.3V
C3036		QERF0JM-107	E CAPACITOR 100μF,6.3V	L1		QQL29BJ-100Z	COIL 10μH
C3041		NDC21HJ-101X	CAPACITOR 100pF,50V	L2		QUY153-050Y	IM BUS WIRE
C3042		NDC21HJ-101X	CAPACITOR 100pF,50V	L3		QQL29BJ-100Z	COIL 10μH
C3049		NCB21HK-103X	CAPACITOR 0.01μF,50V	L4		QQL29BJ-100Z	COIL 10μH
C3050		NCB21HK-103X	CAPACITOR 0.01μF,50V	L5		QQL29BJ-100Z	COIL 10μH
C3052		NCB21HK-103X	CAPACITOR 0.01μF,50V	L11		QQL01BJ-120Z	COIL 12μH
C3053		QDYB1CM-103Y	CAPACITOR 0.01μF,16V	L24		QQL231J-270Y	COIL 27μH
C4001		NCB21EK-104X	CAPACITOR 0.1μF,25V	L28		QQL231J-680Y	COIL 68μH
C4002		QERF1HM-105	E CAPACITOR 1μF,50V	L201		QUY153-050Y	IM BUS WIRE
C4004		QERF1AM-336	E CAPACITOR 33μF,10V	L203		QQL231J-4R7Y	COIL 4.7μH
C4006		NCB21EK-563X	CAPACITOR 0.056μF,25V	L901		QQL29BJ-100Z	COIL 10μH
C4007		NCB21HK-103X	CAPACITOR 0.01μF,50V	L2001		QUY153-050Y	IM BUS WIRE
C4009		NCB21HK-102X	CAPACITOR 0.001μF,50V	L2201		QUY153-050Y	IM BUS WIRE,J696EN
C4010		QERF0JM-476	E CAPACITOR 47μF,6.3V	L2251		QQL29BJ-100Z	COIL,J696EN 10μH
C4011		NCB21CK-224X	CAPACITOR 0.22μF,16V	L5201		PELN1184	COIL 33μH
C4014		NDC21HJ-101X	CAPACITOR 100pF,50V	L5202		PELN1184	COIL 33μH
C4015		NDC21HJ-101X	CAPACITOR 100pF,50V	L6001		QUY153-050Y	IM BUS WIRE
C4019		NCB21HK-103X	CAPACITOR 0.01μF,50V	L6003		QUY153-050Y	IM BUS WIRE
C4022		NDC21HJ-101X	CAPACITOR 100pF,50V	L6032		QUY153-050Y	IM BUS WIRE
△ C5001		QFZ9073-683	F CAPACITOR 0.068μF,250V	L6050		QUY153-050Y	IM BUS WIRE
△ C5004		QCZ9071-222	CAPACITOR 0.0022μF,250V	L6501		QUY153-050Y	IM BUS WIRE,J696EN
C5006		QEZO424-686	E CAPACITOR 68μF,400V	L7111		NRSA02J-0R0X	MG RESISTOR 0Ω,1/10W
C5101		QCZ0212-472	CAPACITOR 0.0047μF,1kV	L7112		QUY160-100Y	IM BUS WIRE
C5102		QCZ0339-101Z	CAPACITOR 100pF,1kV	X1		QAX0580-001	CRYSTAL RESONATOR

#	△ REF No.	PART No.	PART NAME, DESCRIPTION	
		X2	QAX0575-001	CRYSTAL RESONATOR
		X3001	QAX0526-001Z	CRYSTAL RESONATOR
		X3002	QAX0444-001	CRYSTAL RESONATOR
		S3001	QSW0602-004	PUSH SWITCH,REC.SAFETY
		S7001	QSW0456-002Z	TACT SWITCH,POWER,J696EN
		S7002	QSW0456-002Z	TACT SWITCH,REC LINK,J696EN
		S7004	QSW0456-002Z	TACT SWITCH,REW/CH-
		S7006	QSW0456-002Z	TACT SWITCH,FF/CH+
		S7008	QSW0456-002Z	TACT SWITCH,PLAY,J696EN
		S7010	QSW0456-002Z	TACT SWITCH,PLAY,J496EN
			QSW0456-002Z	TACT SWITCH,E.PROG,J696EN
		S7011	QSW0456-002Z	TACT SWITCH,REC,J696EN
		S7013	QSW0456-002Z	TACT SWITCH,PAUSE,J696EN
		S7015	QSW0456-002Z	TACT SWITCH,STOP/EJECT,J696EN
		S7016	QSW0456-002Z	TACT SWITCH,POWER,J496EN
		S7017	QSW0456-002Z	TACT SWITCH,STOP/EJECT,J496EN
		S7018	QSW0456-002Z	TACT SWITCH,REC,J496EN
		S7019	QSW0456-002Z	TACT SWITCH,PAUSE/CH,J496EN
		K5101	QQR0678-001Z	FERRITE BEAD
		K5102	QUY153-050Y	IM BUS WIRE
		PC3001	GP3S123	IC(PHOTO SENSOR)
		PC3002	GP3S123	IC(PHOTO SENSOR)
	△	PC5101	PS2561L1-1/WL/	IC(PHOTO COUPLER)
		T2051	PELN0832	OSC TRANSFORMER
	△	T5001	QQS0083-001	SW TRANSFORMER
	△	TB1	LP20979-002A	TERMINAL BOARD,J696EN
	△		LP21035-002A	TERMINAL BOARD,J496EN
		DI7001	LTG-Y2K16M-J	LE DIODE
		TU6001	QAU0235-001	TUNER
		OT1	QYTDST3006Z	SCREW,Q5101
		SD1	LP20990-001A	SHIELD CASE(PRE)
		ET1	LP30859-001A	EARTH PLATE
	△	HS1	LP40090-001A	HEAT SINK,Q5101
		J1	QNN0292-002	PIN JACK A/V IN,J496EN
			QNN0380-002	PIN JACK A/V IN,J696EN
		J2	QNN0286-002	PIN JACK A/V OUT,J696EN
			QNN0292-002	PIN JACK A/V OUT,J496EN
		FC5001	QNG0006-001Z	FUSE CLIP,F5001
		FC5002	QNG0006-001Z	FUSE CLIP,F5001
		FW7106	QUM022-18A4A4	P.R.WIRE,LT.BATTERY
	△	LF5002	QQR0532-001	LINE FILTER
		CN1	QGF1028C1-11	FPC CONNECTOR,(1-11)UPPER DRUM,J696EN
			QGF1028C2-08	FPC CONNECTOR,(1-8)UPPER DRUM,J496EN
		CN2001	QGF1207C1-07	FPC CONNECTOR,(1-7)A/C HEAD
		CN2002	QGB2532J1-02	CONNECTOR,(1-2)FE HEAD
		CN3001	QGB2015M2-08	CONNECTOR,(1-8)CAPSTAN MOTOR
		CN3002	QGF1207C1-05	FPC CONNECTOR,(1-5)DRUM MDA
		CN3003	QGB2532J1-02	CONNECTOR,(1-2)LOADING MOTOR
		CN3004	QGB2534J2-04	CONNECTOR,(1-4)ROTARY ENCODER
	△	CN5001	QGA7901C3-02	CONNECTOR,(1-2)AC IN
		CN7001	QGF1207C1-09	FPC CONNECTOR,(1-9)SHUTTLE,J696EN
	△	CP4001	ICP-N25	CIRCUIT PROTECTOR
	△	CP5302	ICP-N25	CIRCUIT PROTECTOR
	△	F5001	QMF51E2-2R0J1	FUSE T2.0A,AC250V

#	△ REF No.	PART No.	PART NAME, DESCRIPTION

A/C HEAD BOARD ASSEMBLY <12>

PW1	LP10122-01A1	A/C HEAD BOARD ASSY
CN1	QGF1208F1-07	FPC CONNECTOR

ADV.JOG BOARD ASSEMBLY(HR-J696EN) <38>

PW1	LPA20013-02B	ADV.JOG BOARD ASSY
UN7002	QSW0905-001	ROTARY ENCODER
CN7004	QGF1209F1-09	FPC CONNECTOR,(1-9)MAIN

LOADING MOTOR BOARD ASSEMBLY <55>

PW2	LP10122-01A2	LOADING MOTOR BOARD ASSY
CN1	QGB2533K1-02	CONNECTOR

LT BATTERY BOARD ASSEMBLY <93>

PW4	LPA10130-01A4	LT.BATTERY BOARD ASSY
BT3001	QNZ0032-001	BATTERY HOLDER

